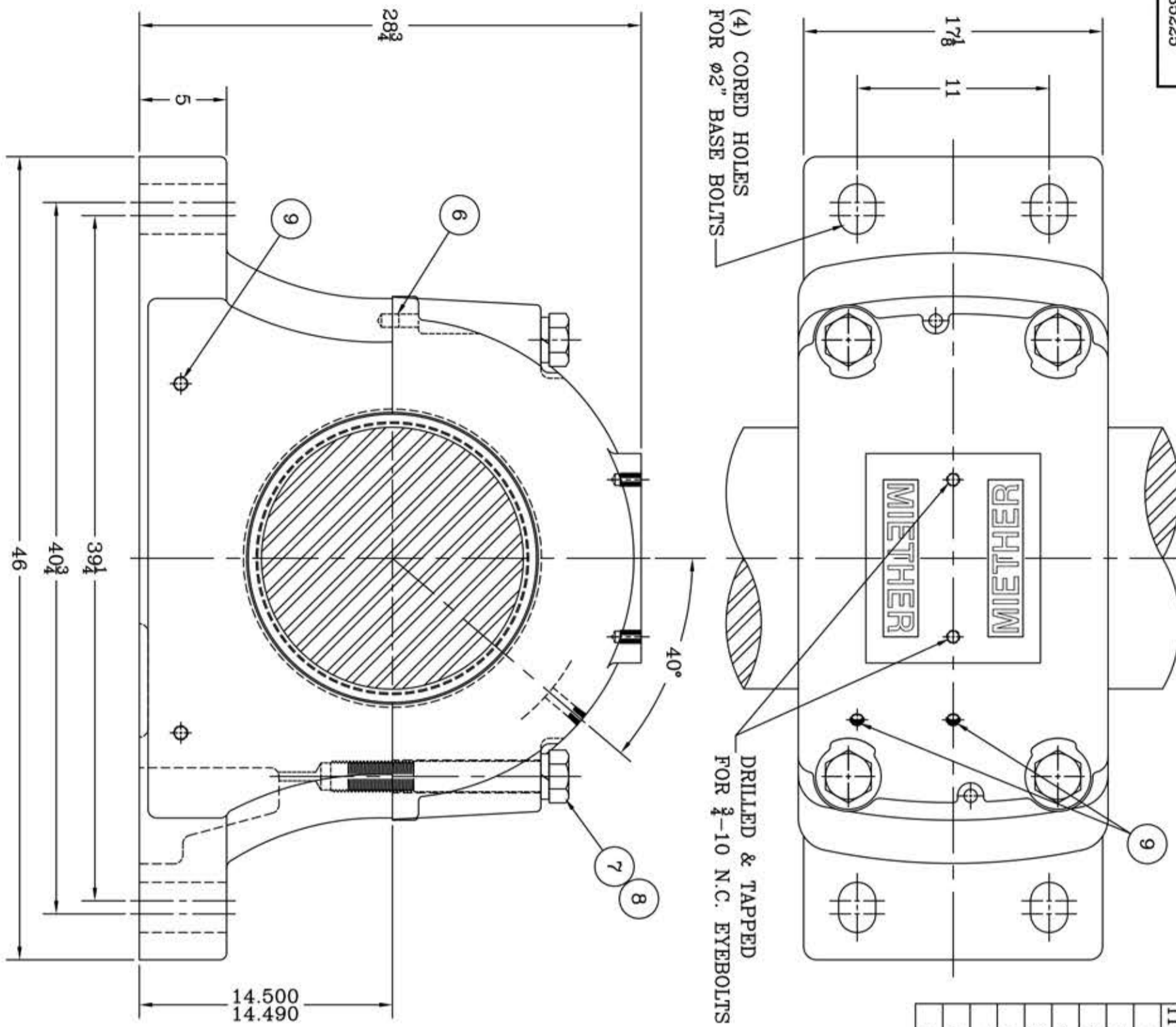
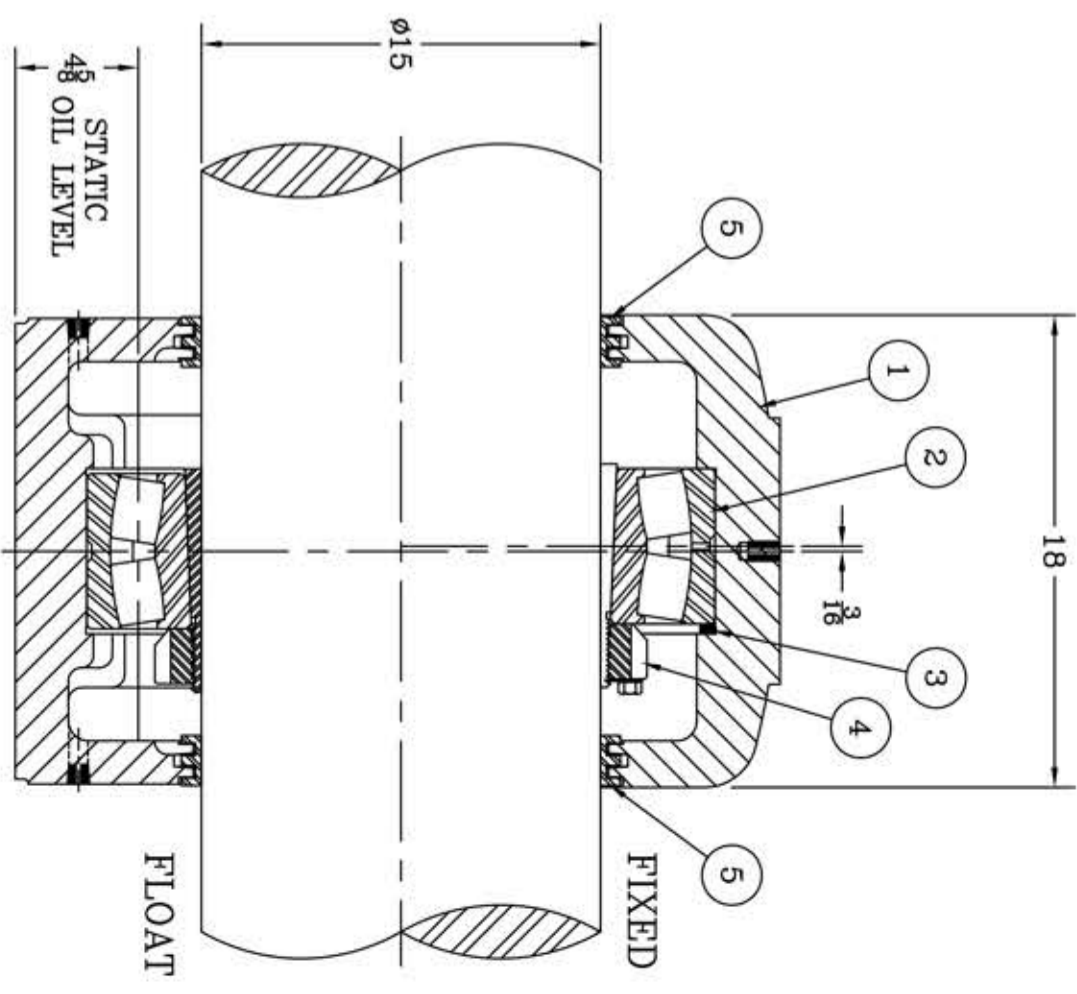


This drawing is the sole property of Miether Bearing Products and contains confidential and proprietary information. It is being provided to you for your use and may not be disclosed to any third party or used for any other purpose without Miether's prior written consent. The [materials] must be returned to the Company upon its demand. Your acceptance of these materials constitutes your acceptance of the foregoing terms.

C-35225



ITEM	DESCRIPTION	DETAIL	REQUIRED
1	HOUSING SDAFD 080 K 15-00	C-	1 1
2	SPHERICAL ROLLER BEARING 23080K/W-33		1 1
3	STABILIZING RING A8974	A-19945	1 0
4	ADAPTER SNP-3080 15-00	24285	1 1
5	TRIPLE SEAL RING ER 847	A-16554	2 2
6	DOWEL	Ø 3/4 x 1" LONG	2 2
7	CAP BOLT HEX. HEAD GR.5	1 3/4-5 NC x 1 1/2" LG	4 4
8	LOCKWASHER	1 3/4 SPLIT MED.	4 4
9	PIPE PLUG	1/2-14 NPT	6 6



REVISIONS

SYMBOL	DESCRIPTION
✓	16
✓	32
✓	63
✓	125
✓	250
✓	500
✓	1000

TOLERANCE: UNLESS OTHERWISE SPECIFIED  
 FRACTIONS ± 1/32" ANGLES ± 0° 30'  
 DECIMALS ± .005 WELD ± 1/16"  
 CASTING ± 1/16"

A.I.S.I. STANDARD FINISHES

SDAFD 23080 K 15-00  
 ASSEMBLY DRAWING

SCALE 1 = 5  
 DRAWN PCF  
 DATE 1/2/13  
 CHK:

AN ALCO INDUSTRIES COMPANY  
 BEARING PRODUCTS  
 ODESSA, TX, USA

ASSEMBLY NO.  
 DRAWING NO.  
 C-35225